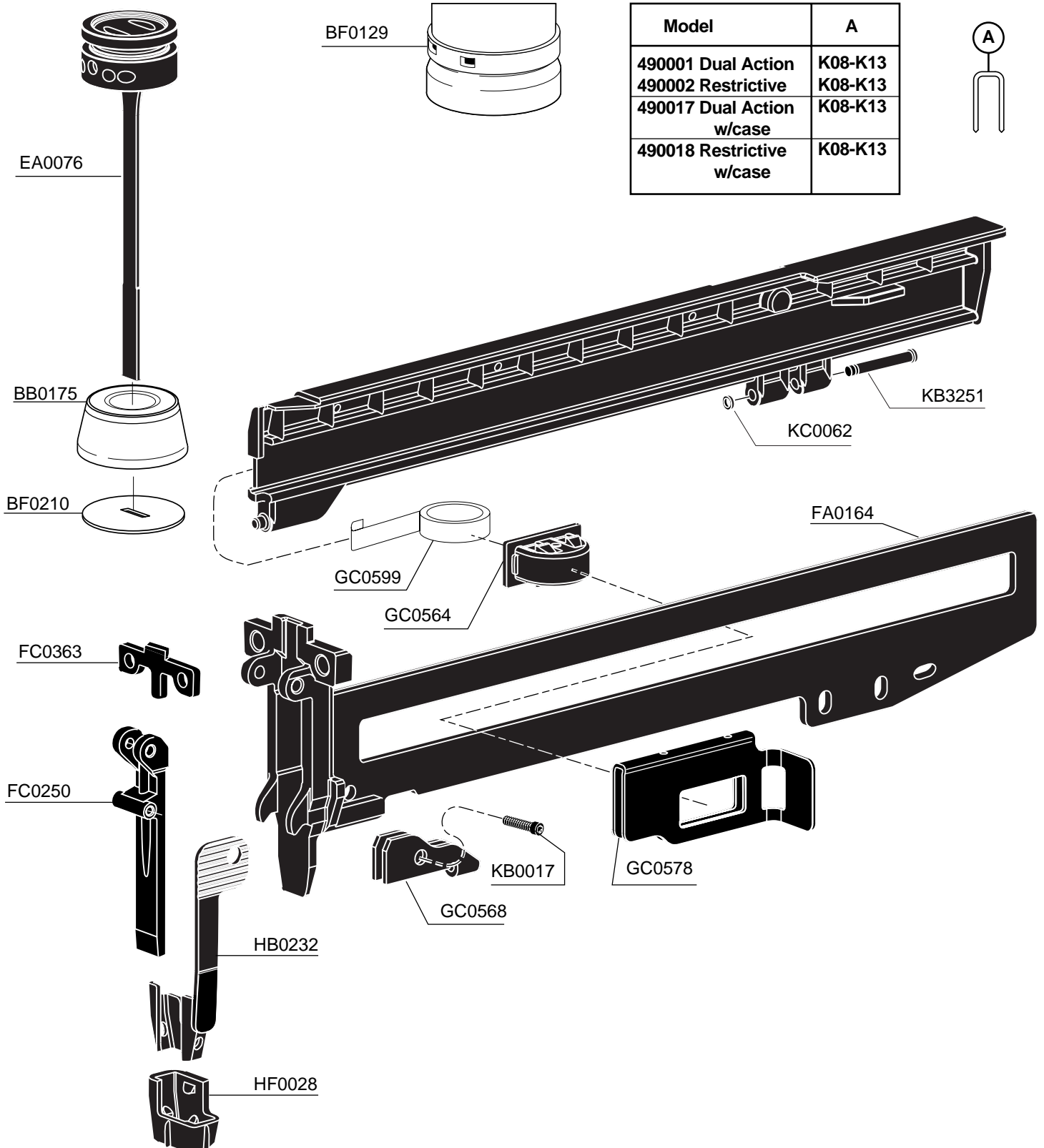
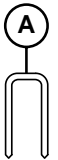


Model	A
490001 Dual Action	K08-K13
490002 Restrictive	K08-K13
490017 Dual Action w/case	K08-K13
490018 Restrictive w/case	K08-K13



In the U.S.A., you will find your nearest Senco location listed in the Yellow Pages under Staples . Or, you can call our toll-free Action-line: 1-800-543-4596

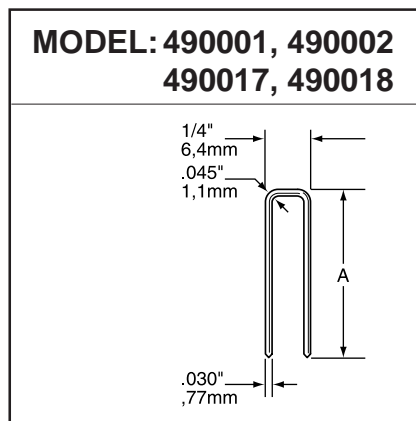
NFD149 Revised September 14, 1999 (Replaces 5/8/98) ©1995, 1999 by SENC0 PRODUCTS, INC. Cincinnati, Ohio 45244-U.S.A.

SLS20 Stapler

REPLACEMENT PARTS LIST

LISTA DE PARTES DE REPUESTO • ERSATZTEILE-LISTE • LISTE DE PIÈCES DE RECHANGE

PART #	DESCRIPTION	DESCRIPCIÓN	BESCHREIBUNG	DÉSIGNATION
BB0175	STOP	TOPE	PUFFER	ARRÊT
BF0129	RING	ANILLO	REIFEN	ANNEAU
BF0210	SEAL	SELLO	DICHTUNG	JOINT
EA0076	PISTON ASSY	ASAMBLE DE PISTON	KOLBEN-ZUSAMMENBAU	PISTON D'ASSEMBLÉE
FA0164	RAIL ASSY	ASAMBLE DE CARRIL	SCHIENE-ZUSAMMENBAU	RAIL D'ASSEMBLÉE
FC0250	DOOR	PUERTA	ABDECKSCHIEBER	PORTE
FC0363	PLATE	PLACA	PLATTE	PLAQUE
GC0568	GUIDE	GUÍA	FÜHRUNG	GUIDE
GC0578	FEEDER SHOE	ALIMENTADOR	NAGELSCHIEBER	POUSSOIR
GC0564	COVER	CUBIERTA	ABDECKUNG	COUVERCLE
GC0599	SPRING	MUELLE	FEDER	RESSORT
HB0232	SAFETY ELEMENT	SEGURO	SICHERHEITSVORRICHTUNG	PALPEUR DE SÉCURITÉ
HF0028	CUSHION	AMORTIGUADOR	SCHUTZ	COUSSIN
KB0017	SCREW	TORNILLO	SCHRAUBE	VIS
KB3251	PIN	PASADOR	STIFT	GOUPILLE
KC0062	RETAINER	JUNTA TÓRICA	SICHERUNGSRING	RETENUE



Code	A	
	Inches	mm
K08	1/2	13
K10	5/8	16
K11	3/4	19
K12	7/8	22
K13	1	25

Parts Kits • Estuches de Parties • Reparatursätze • Kits maintenance

Model	A	B	C	D
SLS20 K08-K13	YK0201	YK0202	YK0203	YK0208